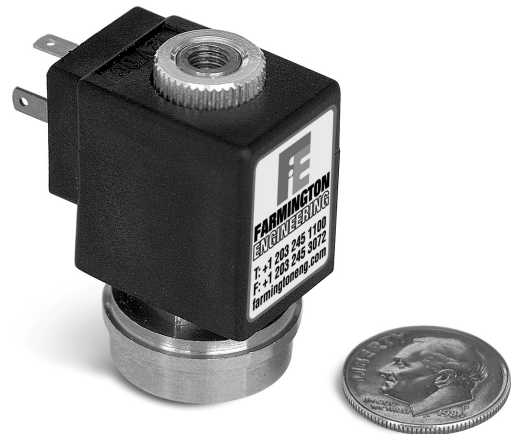
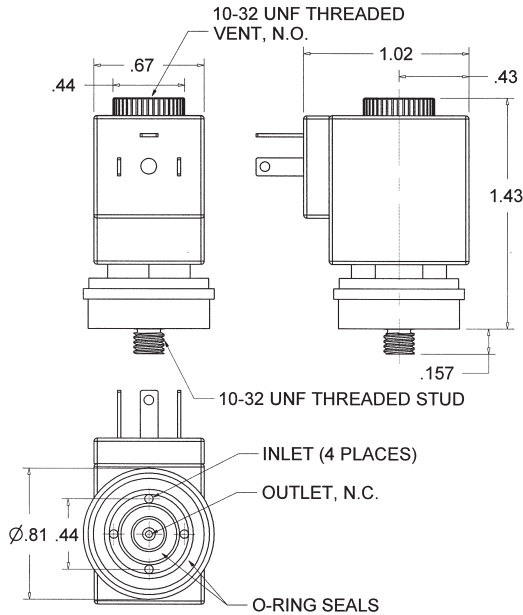


# MICRO SOLENOID VALVES

## 3/2 - SOLENOID VALVE – NORMALLY CLOSED (N.C.) – MANIFOLD MOUNT



### GENERAL FEATURES

Direct acting solenoid valve. Suitable to shut off liquid and gaseous fluids. Material compatibility is application dependent and should be verified before use with testing.

### TECHNICAL FEATURES

Opening time ~ 5 to 15ms  
 Closing time ~ 5 to 15ms  
 Fluid Temp (Viton Seal) -30°C to 130°C  
 Fluid Temp (Buna Seal) -20°C to 90°C

### MATERIALS IN CONTACT WITH FLUID\*

Body Stainless steel  
 Seal Viton or Buna  
 Seat Stainless steel  
 Internal components Stainless steel  
 Guide assembly Nickel plated brass  
 Shading ring Copper

### COIL

Duty 100% (continuous operation)  
 Impregnation 30% glass filled polyester  
 Encapsulation material Glass filled nylon  
 Insulation Class Class H (200°C) per IEC 317-8  
 Ambient temperature -30°C to 70°C  
 Electrical connections DIN 43650 C  
 Voltages DC 6, 12 or 24 V  
 AC 24V/60Hz

\*Special materials available upon request.

Port	Valve	Orifice Size (in)	Cv	P Min (PSI)	Max. Operating PD (PSI)				Power Absorption			Seals	Weight (oz)
					Gases		Liquids		AC (VA)		DC (W)		
					AC	DC	AC	DC	Inrush	Holding			
10-32	FB382V040A	0.040	0.036	0	150	150	150	150	4	3	2.4	Viton	2.0
10-32	FB382B040A	0.040	0.036	0	150	150	150	150	4	3	2.4	Buna	2.0

## Sealing and Flow Control Solutions



7 Orchard Park Road, Madison, CT 06443 USA  
 Tel: +1 (203) 245-1100 Fax: +1 (203) 245-3072  
 sales@farmingtoneng.com

www.farmingtoneng.com

